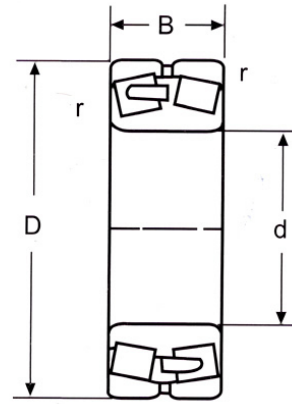
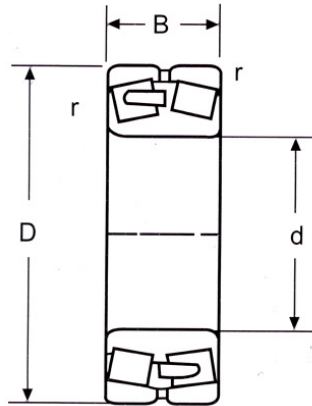


22000
Cylindrical bore

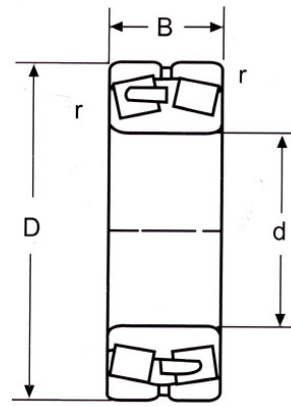


22000K
Tapered bore

Industry Bearing No.	Inside Diameter (d)		Outside Diameter (D)		Width (B)		Radius (r)	Basic Load Rating (lbs.)	
	mm	inch	mm	inch	mm	inch		Dynamic C	Static C ₀
22205	25	0.9843	52	2.0420	18	0.7087	1.5	6850	4800
22206	30	1.1811	62	2.5509	20	0.7874	1.5	8950	6700
22207	35	1.3780	72	2.8346	23	0.9055	2.0	12200	9150
22208	40	1.5748	80	3.1496	23	0.9055	2.0	17800	19900
22209	45	1.7717	85	3.3465	23	0.9055	2.0	18600	24100
22210	50	1.9685	90	3.5433	23	0.9055	2.0	19300	23000
22211	55	2.1654	100	3.9370	25	0.9843	2.5	21000	24700
22212	60	2.6322	110	4.3307	28	1.1024	2.5	25700	33000
22213	65	2.5591	120	4.7244	31	1.2205	2.5	32000	40500
22214	70	2.7559	125	4.9213	31	1.2205	2.5	34500	45000
22215	75	2.9528	130	5.1181	31	1.2205	2.5	37000	50000
22216	80	3.1496	140	5.5118	33	1.2992	3.0	40500	53500
22217	85	3.3465	150	5.9055	36	1.4173	3.0	46500	61500
22218	90	3.5433	160	6.2992	40	1.5748	3.0	57500	77500
22219	95	3.7402	170	6.6929	43	1.6929	3.5	65500	86500
22220	100	3.9370	180	7.0866	46	1.8110	3.5	70000	92500
22222	110	4.3307	200	7.8740	53	2.0866	3.5	92500	128000
22224	120	4.7244	215	8.4646	58	2.2835	3.5	109000	158000
22226	130	5.1181	230	9.0551	64	2.5197	4.0	127000	176000
22228	140	5.5118	250	9.8425	68	2.6772	4.0	153000	218000
22230	150	5.9055	270	10.6299	73	2.8740	4.0	174000	262000
22232	160	6.2992	290	11.4173	80	3.1496	4.0	195000	290000
22234	170	6.6929	310	12.2047	86	3.3858	5.0	225000	340000
22236	180	7.0866	320	12.5984	86	3.3858	5.0	233000	360000
22238	190	7.4803	340	13.3858	92	3.6220	5.0	260000	410000
22240	200	7.8740	360	14.1732	98	3.8583	5.0	295000	450000
22244	220	8.6614	400	15.7480	108	4.2520	5.0	350000	545000
22248	240	9.4488	440	17.3228	120	4.7244	5.0	430000	680000
22252	260	10.2362	480	18.8976	130	5.1181	6.0	500000	805000
22256	280	11.0236	500	19.6850	130	5.1181	6.0	520000	855000
22260	300	11.8110	540	21.2598	140	5.5118	6.0	600000	975000
22264	320	12.5984	580	22.8346	150	5.9055	6.0	695000	1140000

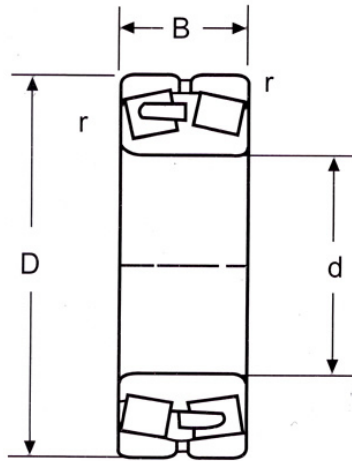


22000
Cylindrical bore

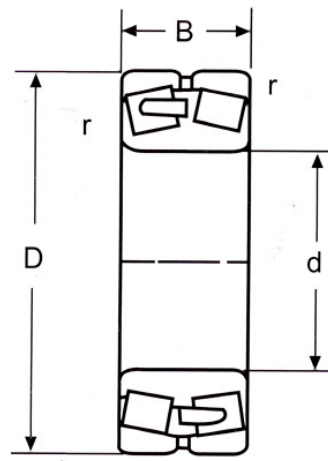


22000K
Tapered bore

Industry Bearing No.	Inside Diameter (d)		Outside Diameter (D)		Width (B)		Radius (r)	Basic Load Rating (lbs.)	
	mm	inch	mm	inch	mm	inch	mm	Dynamic C	Static C _o
22308	40	1.5748	90	3.5433	33	1.2992	2.5	27200	28800
22309	45	1.7717	100	3.9370	36	1.4173	2.5	33000	37500
22310	50	1.9685	110	4.3307	40	1.5748	3.0	42000	47500
22311	55	2.1654	120	4.7244	43	1.6929	3.0	46000	52500
22312	60	2.6322	125	4.9213	46	1.8110	3.5	53000	60500
22313	65	2.5591	130	5.1181	48	1.8898	3.5	59500	71000
22314	70	2.7559	140	5.5118	51	2.0079	3.5	72500	85000
22315	75	2.9528	150	5.9055	55	2.1654	3.5	74000	92000
22316	80	3.1496	160	6.2992	58	2.2835	3.5	86000	105000
22317	85	3.3465	170	6.6929	60	2.3622	4.0	93500	115000
22318	90	3.5433	180	7.0866	64	2.5197	4.0	107000	132000
22319	95	3.7402	200	7.8740	67	2.6378	4.0	112000	138000
22320	100	3.9370	215	8.4646	73	2.8740	4.0	136000	169000
22322	110	4.3307	230	9.0551	80	3.1496	4.0	167000	209000
22324	120	4.7244	250	9.8425	86	3.3858	4.0	118000	258000
22326	130	5.1181	270	10.6299	93	3.6614	5.0	221000	282000
22328	140	5.5118	290	11.4173	102	4.0157	5.0	250000	320000
22330	150	5.9055	310	12.2047	108	4.2520	5.0	281000	385000
22332	160	6.2992	320	12.5984	114	4.4882	5.0	315000	440000
22334	170	6.6929	340	13.3858	120	4.7244	5.0	340000	480000
22336	180	7.0866	360	14.1732	126	4.9606	5.0	385000	565000
22338	190	7.4803	400	15.7480	132	5.1969	6.0	415000	615000
22340	200	7.8740	440	17.3228	138	5.4331	6.0	460000	680000
22344	220	8.6614	480	18.8976	145	5.7087	6.0	530000	790000
22348	240	9.4488	500	19.6850	155	6.1024	6.0	605000	910000
22352	260	10.2362	540	21.2598	165	6.4961	8.0	695000	1060000
22356	280	11.0236	580	22.8346	175	6.8898	8.0	790000	1200000

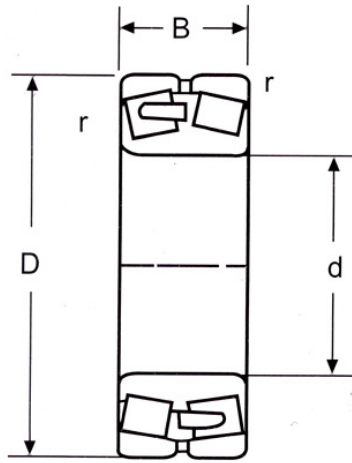


23000
Cylindrical bore

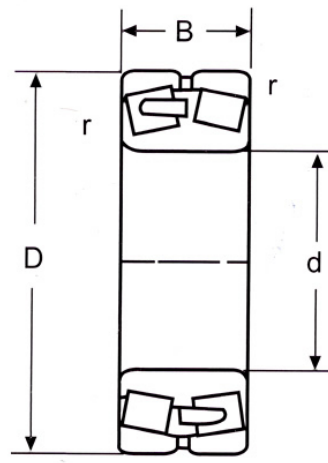


23000K
Tapered bore

Industry Bearing No.	Inside Diameter (d)		Outside Diameter (D)		Width (B)		Radius (r)	Basic Load Rating (lbs.)	
	mm	inch	mm	inch	mm	inch	mm	Dynamic C	Static C ₀
23022	110	4.3307	170	6.6929	45	1.7717	3.0	63500	102000
23024	120	4.7244	180	7.0866	46	1.8110	3.0	66500	111000
23026	130	5.1181	200	7.8740	52	2.0472	3.0	84500	139000
23028	140	5.5118	210	8.2677	53	2.0866	3.0	90500	150000
23030	150	5.9055	225	8.8583	56	2.2047	3.5	100000	174000
23032	160	6.2992	240	9.4488	60	2.3622	3.5	114000	199000
23034	170	6.6929	260	10.2362	67	2.6378	3.5	141000	242000
23036	180	7.0866	280	11.0236	74	2.9134	3.5	166000	291000
23038	190	7.4803	290	11.4173	75	2.9528	3.5	170000	305000
23040	200	7.8740	310	12.2047	82	3.2283	3.5	205000	365000
23044	220	8.6614	340	13.3858	90	3.5433	4.0	238000	430000
23048	240	9.4488	360	14.1732	92	3.6220	4.0	255000	480000
23052	260	10.2362	400	15.7480	104	4.0945	5.0	320000	570000
23056	280	11.0236	420	16.5354	106	4.1732	5.0	340000	655000
23060	300	11.8110	460	18.1102	118	4.6457	5.0	425000	800000
23064	320	12.5984	480	18.8976	121	4.7638	5.0	440000	870000
23068	340	13.3858	520	20.4724	133	5.2362	6.0	505000	990000
23072	360	14.1732	540	21.2598	134	5.2756	6.0	535000	1060000
23076	380	14.9606	560	22.0472	135	5.3150	6.0	550000	1201000
23080	400	15.7480	600	23.6220	148	5.8268	6.0	655000	1320000
23084	420	16.5354	620	24.4094	150	5.9055	6.0	680000	1400000
23088	440	17.3228	650	25.5906	157	6.1811	8.0	735000	1540100
23092	460	18.1102	680	26.7717	163	6.4173	8.0	805000	1680000
23096	480	18.8976	700	27.5591	165	6.4961	8.0	835000	1770000

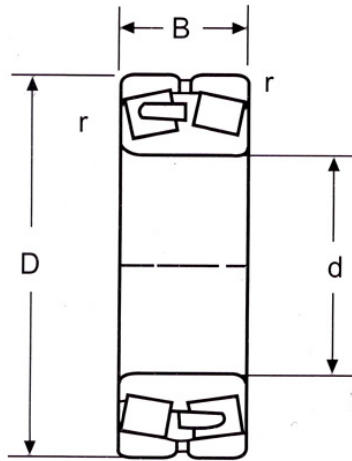


23000
Cylindrical bore

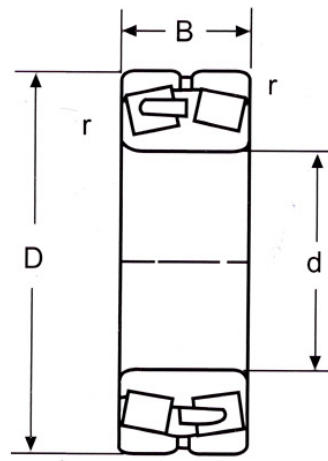


23000K
Tapered bore

Industry Bearing No.	Inside Diameter (d)		Outside Diameter (D)		Width (B)		Radius (r)	Basic Load Rating (lbs.)	
	mm	inch	mm	inch	mm	inch	mm	Dynamic C	Static C ₀
23122	110	4.3307	180	7.0866	56	2.2047	3.0	83000	131000
23124	120	4.7244	200	7.8740	62	2.4409	3.0	102000	158000
23126	130	5.1181	210	8.2677	64	2.5197	3.0	111000	179000
23128	140	5.5118	225	8.8583	68	2.6772	3.5	121000	201000
23130	150	5.9055	250	9.8425	80	3.1496	3.5	165000	268000
23132	160	6.2992	270	10.6299	86	3.3858	3.5	189000	310000
23134	170	6.6929	280	11.0236	88	3.4646	3.5	198000	335000
23136	180	7.0866	300	11.8110	96	3.7795	4.0	232000	390000
23138	190	7.4803	320	12.5984	104	4.0945	4.0	268000	455000
23140	200	7.8740	340	13.3858	112	4.4094	4.0	305000	510000
23144	220	8.6614	370	14.5669	120	4.7244	5.0	350000	610000
23148	240	9.4488	400	15.7480	128	5.0394	5.0	390000	690000
23152	260	10.2362	440	17.3228	144	5.6693	5.0	470000	845000
23156	280	11.0236	460	18.1102	146	5.7480	6.0	505000	930000
23164	320	12.5984	540	21.2598	176	6.9291	6.0	700000	1300000
23168	340	13.3858	580	22.8364	190	7.4803	6.0	810000	1480000
23172	360	14.1732	600	23.6220	192	7.5591	6.0	845000	1580000
23176	380	14.9606	620	24.4094	194	7.6378	6.0	880000	1690000
23180	400	15.7480	650	25.5906	200	7.8740	8.0	940000	1810000
23184	420	16.5354	700	27.5591	224	8.8189	8.0	1150000	2200000
23188	440	17.3228	720	28.3465	226	8.8976	8.0	1170000	2260000
23192	460	18.1102	760	29.9213	240	9.4488	10.0	1290000	2560000
23196	480	18.8976	790	31.1024	248	9.7638	10.0	1410000	2810000



23000
Cylindrical bore



23000K
Tapered bore

Industry Bearing No.	Inside Diameter (d)		Outside Diameter (D)		Width (B)		Radius (r)	Basic Load Rating (lbs.)	
	mm	inch	mm	inch	mm	inch	mm	Dynamic C	Static C ₀
23218	90	3.5443	160	6.2992	52.4	2.0630	3.0	71500	103000
23220	100	3.9370	180	7.0866	60.3	2.3740	3.5	91000	130000
23222	110	4.3307	200	7.8740	69.8	2.7480	3.5	115000	171000
23224	120	4.7244	215	8.4646	76	2.9921	3.5	132000	198000
23226	130	5.1181	230	9.0551	80	3.1496	4.0	154000	239000
23228	140	5.5118	250	9.8425	88	3.4646	4.0	250000	320000
23230	150	5.9055	270	10.6299	96	3.7795	4.0	210000	330000
23232	160	6.2992	290	11.4173	104	4.0945	4.0	315000	440000
23234	170	6.6929	310	12.2047	110	4.3307	5.0	264000	440000
23236	180	7.0866	320	12.5984	112	4.4094	5.0	284000	465000
23238	190	7.4803	340	13.3858	120	3.7244	5.0	320000	530000
23240	200	7.8740	360	14.1732	128	5.0394	5.0	365000	595000
23244	220	8.6614	400	15.7480	144	5.6693	5.0	440000	730000
23248	240	9.4488	440	17.3228	160	6.2992	5.0	535000	900000
23252	260	10.2362	480	18.8976	174	6.8504	6.0	620000	1060000
23256	280	11.0236	500	19.6850	176	6.9291	6.0	660000	1160000
23260	300	11.8110	540	21.2598	192	7.5591	6.0	775000	1350000
23264	320	12.5984	580	22.8346	208	8.1890	6.0	890000	1560000
23268	340	13.3858	620	24.4094	224	8.8189	8.0	990000	1760000
23272	360	14.1732	650	25.5906	232	9.1339	8.0	1090000	1950000
23276	380	14.9606	680	26.7717	240	9.4488	8.0	1170000	2170000
23280	400	15.7480	720	28.3465	256	10.0787	8.0	1330000	2420000
23284	420	16.5354	760	29.9213	272	10.7087	10.0	1450000	2660000
23288	440	17.3228	790	31.1024	280	11.0236	10.0	1530000	2850000